



B9200 MOBILITY SCOOTER NEW SERIES

USER MANUAL

"A SUBLIME COMBINATION OF POWER, SPEED & COMFORT"

WARNING! Failure to heed the warnings in this owner's manual may result in personal injury.

CAUTION! Failure to heed the cautions in this owner's manual may result in damage to your scooter

C O N T E N T S

1.	INTRODUCTION.....	4
2.	SAFETY.....	5
3.	SPECIFICATIONS.....	8
4.	YOUR SCOOTER.....	10
5.	BATTERIES AND CHARGING.....	14
6.	OPERATION.....	18
7.	COMFORT ADJUSTMENTS.....	20
8.	BASIC TROUBLESHOOTING.....	22
9.	CARE AND MAINTENANCE.....	24
10.	WARRANTY.....	25

Introduction

Congratulations on the purchase of your new B9000 Mobility Scooter! The advanced design and attractive styling of the B9000 ensures many years of enhanced trouble-free mobility. Correct use improves your mobility and quality of life.

Your safety is important to us.

Please read and follow all instructions in this manual before operating your scooter. Complete understanding of these operating instructions, prior to driving your scooter, is essential for your safety and enjoyment.

No liability can be taken by us for personal injury or damage to property arising from the failure of any person and/or user of this scooter to follow the instructions and recommendations either contained in this manual, in other scooter-related literature issued by the manufacturer; or displayed on the scooter itself.

This Owner's Manual was compiled from the latest specifications and product information pertaining at the time of publication. We reserve the right to make such changes as become necessary. Changes to our products may cause slight variances between illustrations and explanations shown in this manual, to the product purchased by you.

If you feel incapable of safely following the instructions and or recommendations contained in this manual, or experience any problems with your B9000 which you are unable to resolve, please contact your authorized dealer for assistance.

Feedback

With our ongoing product development, we appreciate your feedback with any questions, comments or suggestions. Please contact us through www.onerehab.co.uk

SAFETY PRECAUTIONS

- Lock your seat into place and remove the key before you get on or off your scooter.
- Lock the seat into position before you operate your scooter.
- Do not operate your scooter with the seat in the reclined position (if so equipped).
- Make certain that the tyres are inflated to 30 pounds per square inch (psi). Overinflating a tyre can cause it to explode, resulting in personal injury or damage to your scooter.
- Do not operate your scooter if you are taking medication which may impair your ability to operate your scooter in a safe manner.
- Do not drive your scooter across the side of an incline or diagonally up or down an incline; avoid stopping whilst driving on inclines.
- Keep both hands on the tiller and your feet on the floorboard at all times while operating your scooter. This driving position gives you the most control over your vehicle.
- Proceed with extreme caution when driving near raised surfaces or unprotected ledges or drop-offs (kerbs, porches, stairs, etc.)
- Drive slowly when turning.
- Secure the batteries before loading your scooter into another vehicle for transport.
- Disconnect the batteries if you are not going to operate your scooter for more than 48 hours.
- Do not operate or store your scooter where it may be exposed to inclement weather conditions such as rain, snow, mist, and below-freezing temperatures. Attempting to operate your Scooter in such conditions may damage the electronics and potentially result in loss of control.
- Always protect batteries from freezing temperatures and never charge a frozen battery. This damages the battery and may cause personal injury. Attempting to charge a battery in freezing conditions does not prevent a battery from freezing.
- Do not expose the electronics to any type of moisture at any time. Such exposure may damage the electronics. Never attempt to ride a scooter that has been exposed to moisture until it has dried thoroughly.
- Never sit on your scooter when it is being used with any type of lift/elevation product. Your scooter was not designed with such use in mind, and any damage or injury incurred from such use is not the responsibility of the manufacturer.

2 . S A F E T Y

Until you are familiar with the operation of your scooter, please practice in a wide and open area such as a park, with your scooter set at the lowest speed setting. To prevent the possibility of falling off your scooter while driving bear in mind the status of the driving motion, such as accelerating, stopping, turning, reversing, up-and-down ramps etc.

RAMPS AND OTHER INCLINES

Be careful while driving up ramps and inclines.

- Take wide turns with your Scooters front wheels around any tight corners. If you do that, the Scooter rear wheels will follow a wide arc. Do not cut the corner short as this may result in personal injury.
- When driving down a ramp, keep the Scooter's speed adjustment dial (see IV. "Your Scooter") set to the tortoise (slowest speed setting) to ensure safely controlled descent.
- Never drive your Scooter across the side of a hill or diagonally up or down a hill, and do not stop, if possible, while driving up or down an incline.
- Avoid sudden stops and starts.

Figures 1 and 2 illustrate your scooter's stability and its ability to climb grades under various weight loads under controlled testing conditions.

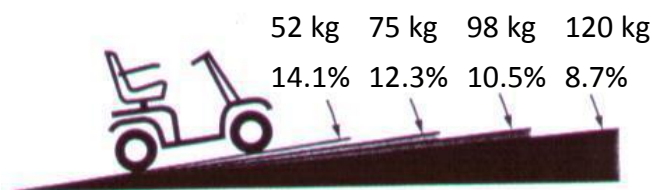


Figure 1. Maximum Recommended Incline Angles

These tests were conducted with the scooter's seat in the highest position and adjusted backward on the seat base to its farthest rearward position. Use this information as a guideline. Your scooter's ability to travel up any incline is affected by your weight, your scooter's speed, your angle of approach to the incline, and your scooter's setup.

WARNING! Do not exceed the incline guidelines or any other specifications presented in this manual.



Figure 2. Normal Driving Position

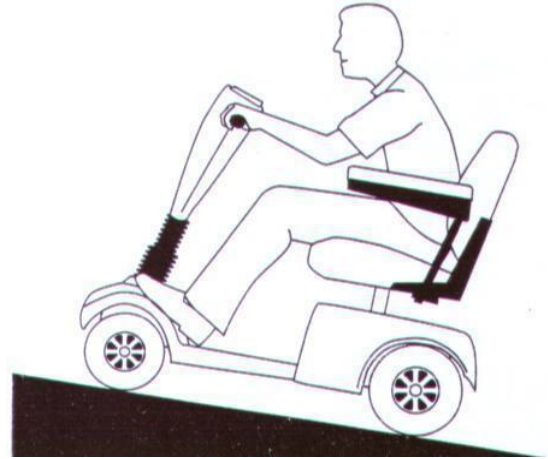


Figure 3. Increased Stability Driving Position

- When you approach an incline, it is best to lean forward. See figures 2 and 3. This shifts your centre of gravity towards the front of the scooter for improved stability.

DRIVING SURFACES

Your scooter was designed to provide optimum stability under normal driving conditions; dry, level surfaces composed of concrete or asphalt.

- Your scooter can safely be used on lawns and in park areas when permitted.
- Avoid tall grass that can become entangled in the axles.
- Packed soil and gravel, such as driveways or roads, will present no problem for your scooter.
- Avoid loosely packed gravel and sand.
- If unsure about a surface it is best avoided.

SAFETY PRECAUTIONS

- Do not operate your new scooter for the first time without completely reading and understanding this owner's manual.
- Do not carry passengers on your scooter.
- Do not leave the key in the switch when your scooter is unattended.

3. SPECIFICATIONS

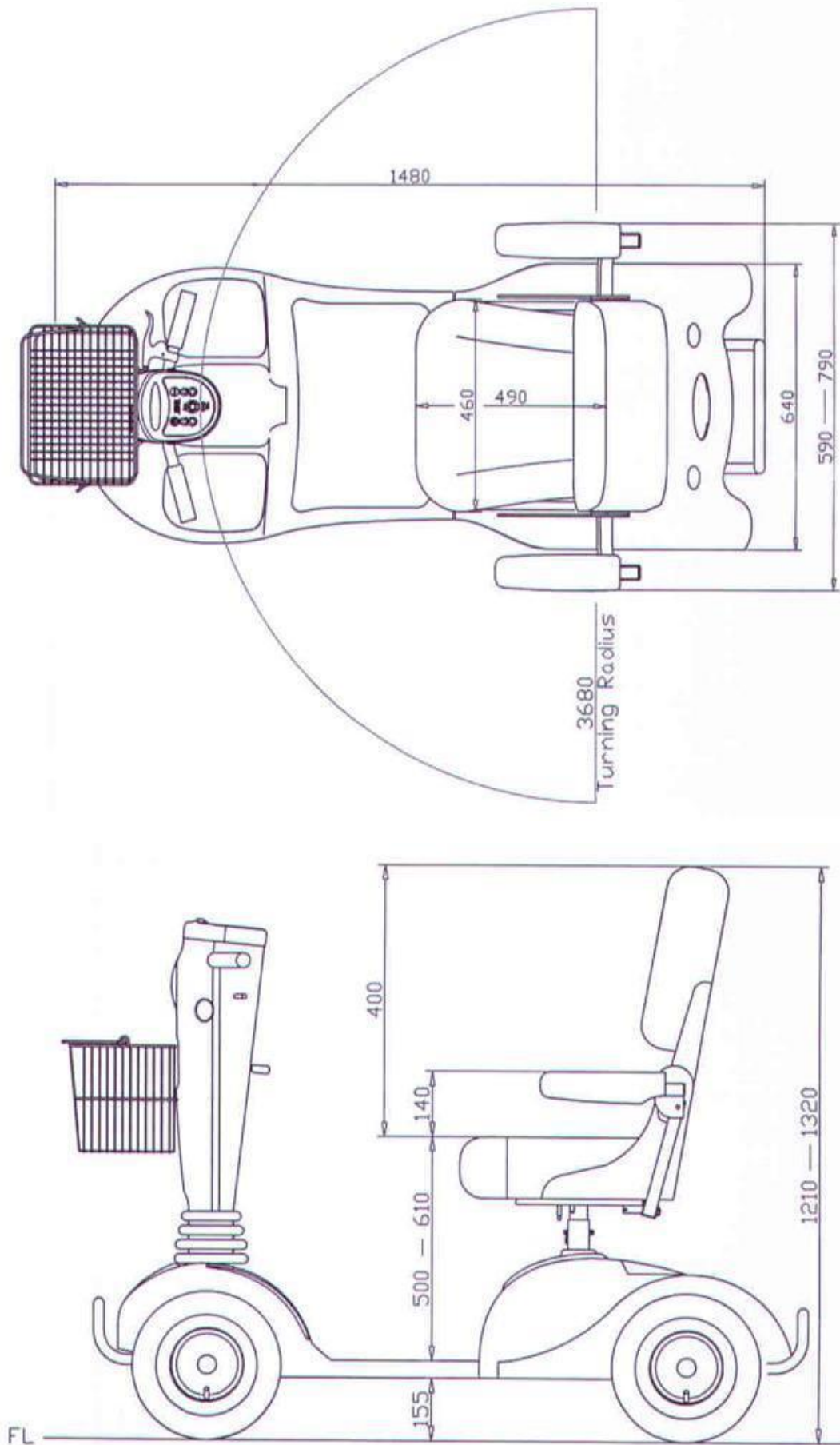


Figure 4. Dimensions of Scooter B9000

3. SPECIFICATIONS

DETACHABLE FRAME	WIDTH	HEIGHT	LENGTH	WHEEL LENGTH	WIDTH FRONT WHEELS	WIDTH REAR WHEELS	SEAT TO HANDLE	HEIGHT ADJUSTABLE SEAT	TURNING RADIUS
YES	640mm	1020mm	1480mm	1010mm	590mm	640mm	670mm	LOW500mm HIGH610mm	3680mm
BATTERY	MOTOR	MAGNET HAND BRAKE	DRIVE TYPE	DRIVE RANGE	SHOCK ABSORBER	SLOPE	SPEED	CHARGING TIME	HIGH BEAM
12V50AH X2	650W 4200RPM	YES YES	REAR WHEEL	40Km	YES	12°	14Km/hr	8hr	YES
SEAT WEIGHT	BATTERY WEIGHT	MAX WEIGHT CAPACITY	NET WEIGHT	SHIPPING WEIGHT	WHEEL SIZE	WEIGHT FRONT FRAME	WEIGHT REAR FRAME		
11.42Kg	30Kg	120Kg	101Kg	111Kg	FRONT4.00-5 REAR4.00-5				

4 . Y O U R S C O O T E R

Your scooter is electrically motorized and designed to give you greater mobility and is suitable for use both indoors and outside. Your scooter is designed to travel primarily on smooth surfaces. For easy transportation or storage, you can disassemble your scooter into seven components. See figure 5.

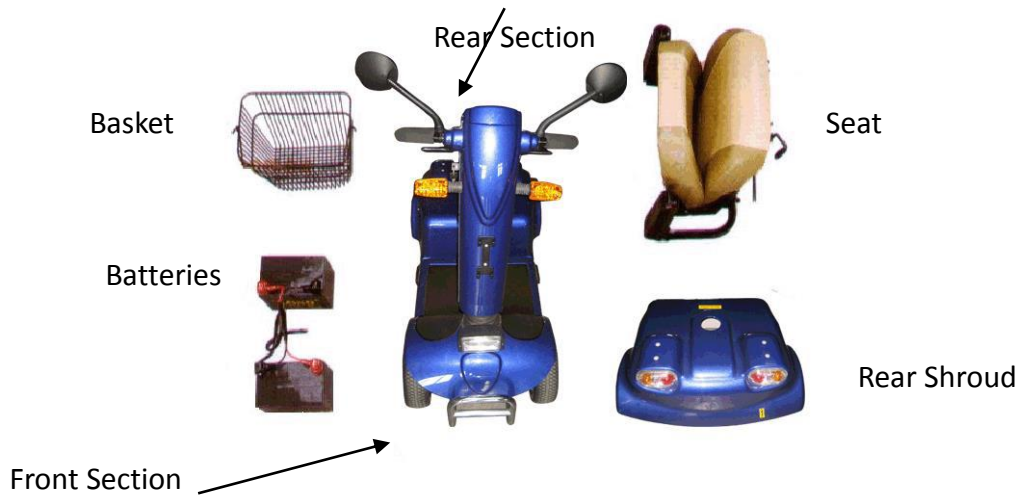


Figure 5. Seven Scooter Components

CONTROL CONSOLE ASSEMBLY

The control console assembly houses all the controls needed to drive your scooter, including the key switch, the speed adjustment dial, the throttle control lever, the battery gauge, the horn button, and the light switch. See figure 6.

Do not expose the control console assembly to moisture. In the event that the console does become exposed to moisture, do not attempt to operate your scooter until the control console assembly has thoroughly dried.

Key Switch

- Fully insert the key into the key switch and turn to power up (turn on) your scooter.
- Turn and remove the key to power down (turn off) your scooter.

Speed Adjustment Dial

This adjustment dial allows you to preselect and limit your scooter's top speed.

- The image of the tortoise represents the slowest speed setting.
- The image of the hare represents the fastest speed setting.

Turning Signal Button (L / R)

- When turning to the left, press the left button to give a signal.
- When turning to the right, press the right button to give a signal.



Figure 6. Control Console Assembly

Throttle Control Lever

This lever allows you to control the forward and reverse speed of your scooter up to the maximum speed pre-set on the speed adjustment dial.

- Place your right hand on the right handgrip and your left hand on the left handgrip.
- Use your right thumb to push the right side of the lever to disengage your scooter’s brake and move forward.
- Release the lever and allow your scooter to come to a complete stop before pushing the left side of the lever to move in reverse.
- When the throttle is completely released, it automatically returns to the centre “stop” position and engages the brake.

Battery Gauge

Whenever the scooter is powered up (switched on), this metre gives an approximate reading of the battery voltage.

Horn Button

- This button activates a warning horn.

Light Button

- This button activates the headlight system.
- Press once to activate, press again to deactivate.

Turning Signals (L/R)

- Press left/right turning signal button once before make a left/right turn.
- Press once to activate, press again to deactivate.

Hazard Button

- This button activates both front and rear turning signals simultaneously.
- Press once to activate, press again to deactivate.

REAR SECTION

The batteries, the electronic controller module, the main circuit breaker (reset button), the manual freewheel lever, and the motor/transaxle assemblies are located on the rear section of the scooter. See figure 7.

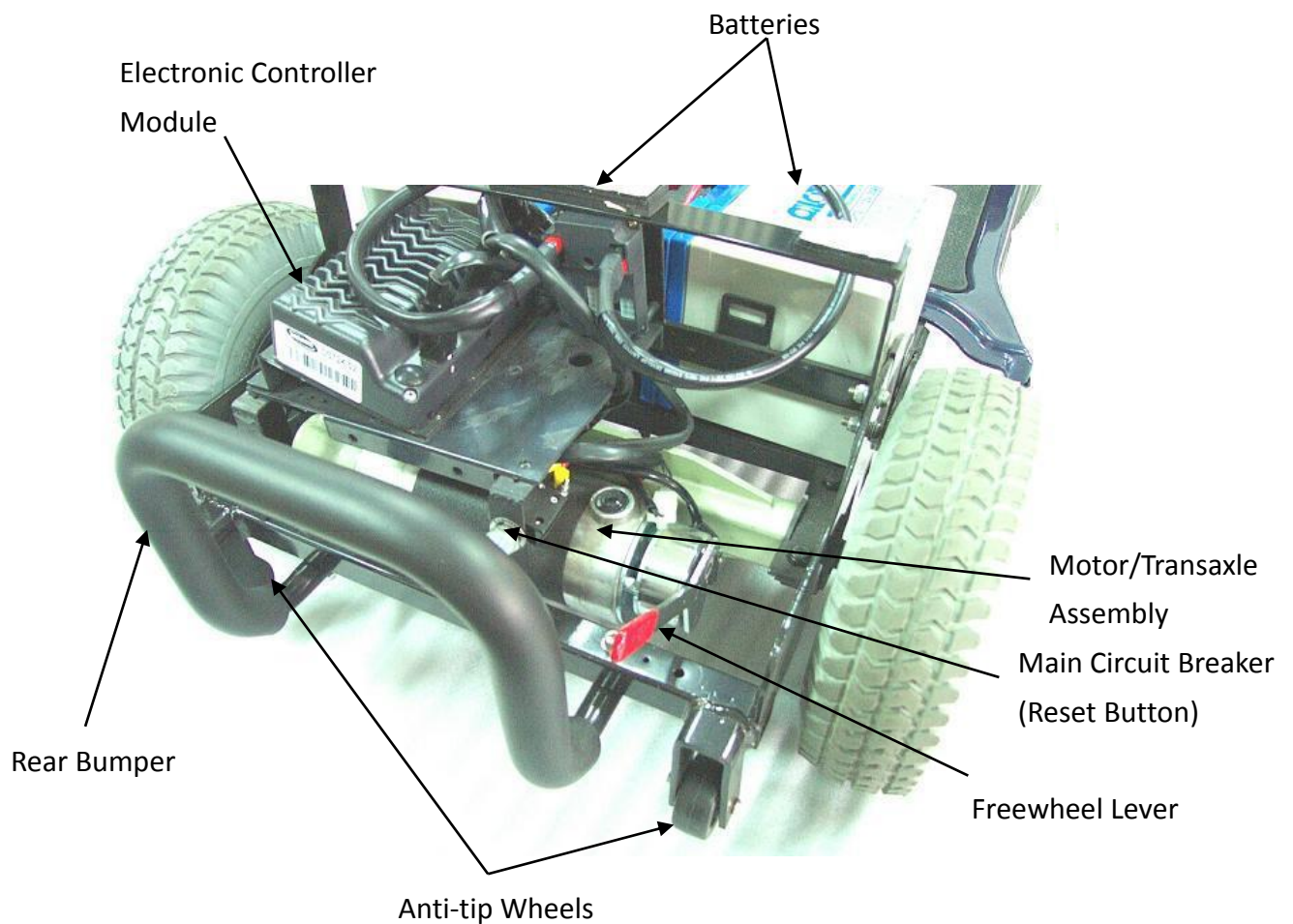


Figure 7. Rear Section

Batteries

The batteries store the electrical energy to power the scooter. **Please see the section on: “Batteries and Charging” later in this manual.**

Electronic Controller Module

The electronic controller module is located behind the batteries towards the rear of the scooter. This module receives electrical signals from the console controls and sends power to the motor, the brakes, the headlight, and the optional lighting system.

Main Circuit Breaker

When the voltage in the scooter’s batteries becomes low or the scooter is heavily strained because of excessive loads or steep inclines, the main circuit breaker may “trip” to protect your scooter’s motor and electronics from damage.

- The main circuit breaker is mounted on the rear section of the scooter. See figure 7.
- The main circuit breaker reset button pops out when the breaker “trips”.
- When the breaker “trips”, the entire electrical system of your scooter is shut down.
- Allow 60 seconds then press the reset button to reset the breaker.
- If the breaker “trips” frequently, you may need to charge your batteries more often. You may also need to have your authorized scooter dealer perform a load test on the batteries.

Manual Free-wheel Lever

Engaging the free-wheel lever will enable the scooter to be pushed manually, (for instance to make small adjustments when parking).

WARNING! Before placing your scooter in or out of freewheel mode, make certain that the key is removed from the key switch. Even though the motor of the scooter is disengaged from the drive system when the scooter is put in manual freewheel mode, the motor can still run if the throttle lever is pushed. Never sit on a scooter when it is in freewheel mode. **NEVER ENGAGE THE FREEWHEEL LEVER WHILST THE SCOOTER IS ON AN INCLINE.**

- The manual freewheel lever is located on the offside rear of the scooter. See figure 7.
- Pulling the free-wheel lever upwards will disable the drive and brake system and engage the free-wheel mode.
- You will then be able to push your scooter.
- Pushing the free-wheel lever downwards will engage the drive and brake system and take the scooter out of free-wheel mode.

Motor/Transaxle Assembly

The motor/transaxle assembly consists of a geared transmission and differential. This one piece, direct drive, fully sealed assembly, provides quiet operation with maximum power and long life. See figure 7.

Anti-Tip Wheels

The anti-tip wheels are an integral and important safety feature of your scooter. **NEVER REMOVE OR MODIFY THE ANTI-TIP WHEELS ON THE SCOOTER AS THIS MAY RESULT IN SERIOUS INJURY OR DEATH**
See figure 7.

5 . B A T T E R I E S A N D C H A R G I N G

Your scooter uses two long-lasting, 12-volt deep-cycle batteries that are sealed and maintenance free.

■ Fully charge the batteries prior to using the scooter for the first time.

■ **FULLY CHARGE THE BATTERIES AT LEAST ONCE A WEEK AS FAILURE TO DO SO WILL SIGNIFICANTLY DAMANGE THE BATTERIES. *This is essential REGARDLESS OF THE SCOOTER'S USE.***

FOLLOW THESE EASY STEPS TO CHARGE THE BATTERIES SAFELY

1. Position scooter close to a standard electrical socket.
2. Remove the key from the key switch.
3. Make certain that the manual free-wheel lever is in the down (drive) position.
4. Plug the charger output cable into charging socket on scooter.
5. Extend the charger power lead and plug into the wall outlet.
6. We recommend charging the batteries for at least 8 - 14 hours.
7. When the batteries are fully charged, the orange LED light on the charger will turn to green.
8. When the batteries are fully charged, unplug the charger power lead from the electrical socket and unplug cable from charging socket.
9. Place charger in a safe place for future use.

BATTERIES AND CHARGING - FREQUENTLY ASKED QUESTIONS (FAQS)

Can I use a different charger?

For the safest, most efficient, and balanced charging of the scooter's batteries, we highly recommend the simultaneous charging of both batteries together using the original battery charger.

What do the LEDs on the battery charger indicate?

The battery charger is equipped with two Light Emitting Diodes (LEDs) that indicate the charging status of the batteries. The red LED indicates the battery charging is in progress. The green LED indicates the batteries are fully charge.

How often must I charge the batteries?

- If the scooter is used daily, charge it every night. We recommend that you charge your scooter's batteries for 8 to 14 hours after daily use.
- If you use your scooter once a week or less, charge its batteries at least once a week for 12 to 14 hours at a time.
- Keep your scooter's batteries fully charged. Leaving your batteries partially discharged will damage the batteries.
- Avoid deeply discharging your scooter's batteries. If batteries become completely discharged recharge them as soon as possible.
- Do not charge the batteries for more than 24 consecutive hours.

How can I get maximum range or distance per charge?

- Always fully charge your scooter's batteries prior to your daily use.
- Maintain 30-35 psi (pounds per square inch) of air in all of your scooter's tires.
- Plan your route ahead to avoid adverse terrain such as hills and uneven surfaces.
- Maintain an even speed while driving

What type and size of battery should I use?

We recommend deep-cycle batteries that are sealed and maintenance free. Both sealed lead-acid (SLA) and gel cell are deep-cycle batteries that offer similar performance in your scooter. Do not use wet-cell batteries, which have removable caps.

CAUTION! Do not remove the caps from sealed batteries. Water cannot be added to sealed batteries. Cap removal voids the battery warranty and may cause damage to the batteries and to your scooter.

5 . B A T T E R I E S A N D C H A R G I N G

Use these specifications to reorder deep-cycle batteries :

Type :	Deep-cycle (sealed lead-acid or gel cell)
Voltage :	12-volts each
Amperage :	50 AH
Approx Size:	200mm x 170mm x 170mm

To change a battery

1. Remove seat and rear shroud. Please see Figure 8. "Disassembly and Assembly."
2. Remove the battery tie-down strap.
3. Disconnect the battery cables from the electronic controller module.
4. Disconnect the battery cables from the battery terminals.
5. Remove the old battery.
6. Place a new battery in the battery well.
7. Connect the red battery cable to the positive (+) battery terminal.
8. Connect the black battery cable to the negative (–) battery terminal.
9. Reconnect the battery cables to the electronic controller module.
10. Fasten the battery tie-down strap.
11. Replace rear shroud and seat.

Why do my new batteries seem weak?

Deep-cycle batteries employ a different chemical technology than is used in car batteries, nickel-cadmium batteries (NiCad), or in other common battery types. Deep-cycle batteries are specifically designed to provide power, drain down their charge, and then accept a relatively quick recharge.

We work closely with battery manufacturers to provide batteries best suited to the scooter's specific electrical demands. During shipping, the batteries may encounter temperature extremes that may influence their initial performance. Heat diminishes the charge on the battery; cold slows the available power and extends the time needed to recharge the battery.

It may take a few days for the temperature of your scooter's batteries to stabilize and adjust to their new room or ambient temperature.

More importantly, it takes a few charging cycles (a partial drain followed by a full recharge) to establish the critical chemical balance that is essential to a deep-cycle battery's peak performance and long life.

5 . B A T T E R I E S A N D C H A R G I N G

The following steps will maximise the batteries` life and efficiency:

1. Fully recharge any new battery prior to its initial use. This charging cycle brings the battery to about

88% of its peak performance level.

2. Operate your new scooter in familiar and safe areas. Drive slowly at first, and do not travel too far from your home or familiar surroundings until you have become accustomed to your scooter's controls and have maximised the capacity of the batteries.
3. Fully recharge the batteries. They should now be at over 90% of their peak performance level.
4. Operate your scooter again.
5. Fully recharge the batteries again.
6. After four or five charging cycles, the batteries are able to receive a charge of 100% of their peak performance level and are able to last for an extended period of time.

How can I ensure maximum battery life?

Fully charged deep-cycle batteries provide reliable performance and extended battery life. Keep your scooter's batteries fully charged. Batteries that are regularly and deeply discharged, infrequently charged, or stored without a full charge may be permanently damaged, causing unreliable performance and limited life. Such damage is not covered by warranty.

How should I store my Scooter and its batteries?

If you plan on not using your scooter for an extended period of time, it is best to:

- Fully charge its batteries prior to storage.
- Disconnect the battery harnesses from the electronic controller module.
- Store your scooter in a warm, dry environment.
- Avoid storing your scooter where it will be exposed to temperature extremes.

WARNING! If your scooter's batteries do become frozen, do not attempt to charge them. Cold or frozen batteries should be allowed to warm up for several days prior to recharging.

For prolonged storage, you may wish to place several boards under the frame of your scooter to raise the scooter off of the ground. This takes the weight off the tyres and prevents the possibility of flat spots developing.

What about public transportation?

If you intend to use public transportation while using your scooter, you must contact in advance the transportation provider to determine their specific requirements.

6 . O P E R A T I O N

GETTING ON YOUR SCOOTER

1. Make certain that the key is removed from the key switch.

2. Stand at the side of your scooter.
3. Pull forward the seat lock lever and rotate the seat until it is facing you.
4. Make certain that the seat is locked securely in position.
5. Position yourself comfortably and securely in the seat.
6. Pull forward the seat locking lever and rotate the seat until you are forward facing.
7. Make certain that the seat is locked securely in position.
8. Make certain that your feet are safely on the floorboard.
9. Follow the checklist below. Familiarize yourself with this checklist, since some of the checks must be performed before getting on your scooter.

PRE-RIDE ADJUSTMENTS AND CHECKS

- Have you fully charged the batteries? Please see section 5. Batteries and Charging.
- Is the manual freewheeling lever in the drive (down) position? Please see section 4. Your scooter. Never leave the manual freewheel lever pulled up unless you are pushing your scooter.
- Is your proposed path clear of people, pets, and obstacles?
- Have you planned your route to avoid adverse terrain and as many inclines as possible?
- Are you positioned comfortably in the seat? Please see “Getting on your scooter,” above.
- Is the seat at the proper height? Please see 7. Comfort Adjustments.
- Is the seat locked securely in place? Please see 7. Comfort Adjustments.
- Is the tiller handle at a comfortable setting and locked securely in place? Please see 7. Comfort Adjustments.
- Is the key fully inserted into the key switch? Please see 4. Your scooter.
- Is the speed adjustment dial set to a slower setting? Please see 4. Your scooter.
- Are you grasping the handgrips with a thumb resting on each side of the throttle control lever? Please see 4 “Your scooter.”

OPERATING YOUR SCOOTER

After planning your route:

- Adjust the speed adjustment dial on the control console assembly to your desired level of speed.
- Press your thumb against the appropriate side of the throttle control lever. The electric brake automatically disengages and the scooter accelerates smoothly to the speed pre-selected at the speed adjustment dial.

6 . O P E R A T I O N

FORWARD OR REVERSE DRIVING

- Pull on the left handgrip to steer your scooter to the left.
- Pull on the right handgrip to steer your scooter to the right.
- Move the tiller to the centre position to drive straight ahead.

- To slow down partially release the throttle control lever.
- To stop fully release the throttle control lever.
- The electric brake automatically engages when your scooter comes to a stop.

NOTE: The rear wheel drive transaxle gives your scooter maximum traction with minimal steering effort

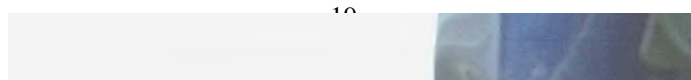
GETTING OFF YOUR SCOOTER

1. Bring your scooter to a complete stop.
2. Remove the key from the key switch.
3. Pull forward the seat lock lever and rotate the seat until you are facing toward the side of your scooter.
4. Make certain that the seat is locked securely in position.
5. Carefully and safely get out of the seat and stand to the side of your scooter.
6. You may wish to leave the seat facing to the side to facilitate getting on your scooter the next time you are going to operate it.

7 . C O M F O R T A D J U S T M E N T S

TILLER ANGLE ADJUSTMENT

You can adjust the tiller to many positions. The tiller adjustment lever locks the tiller in place. This mechanism enables you to rotate it and change its position. Push the lever down and adjust the tiller to



the required position and release the lever.

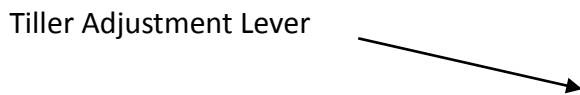


Figure 8. Tiller Angle Adjustment

SEAT HEIGHT ADJUSTMENT

The seat can be repositioned to five different heights. See figure 9.

1. Remove the seat from your scooter. See section 8. "Disassembly and Assembly."
2. Use the ring to pull and remove the ball detent pin from the lower seat post.
3. Raise or lower the upper seat post to the desired seat height.
4. While holding the upper seat post at that height, match up holes in the upper and lower seat posts.
5. Fully re-insert the ball detent pin.
6. Replace the seat.

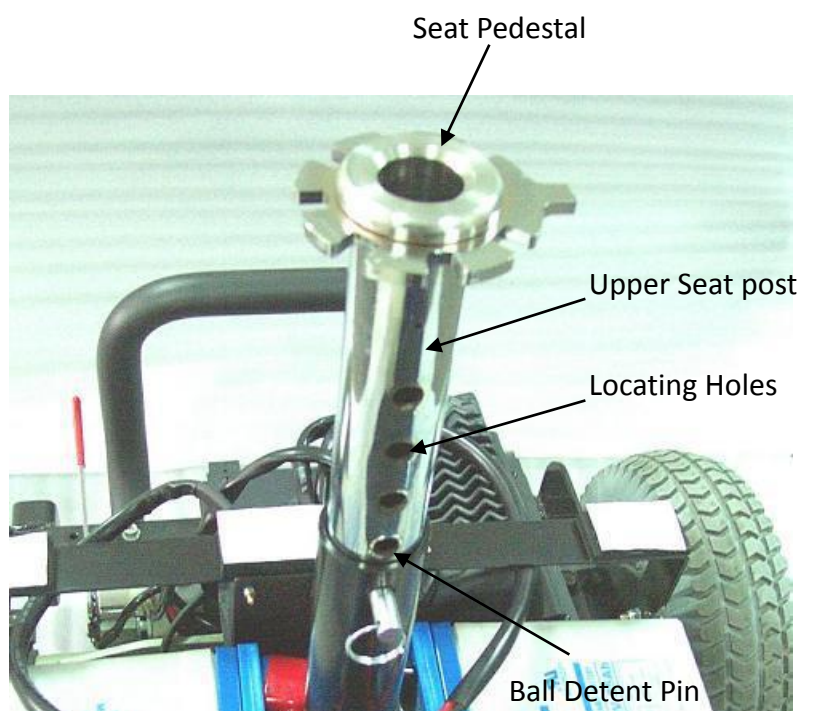
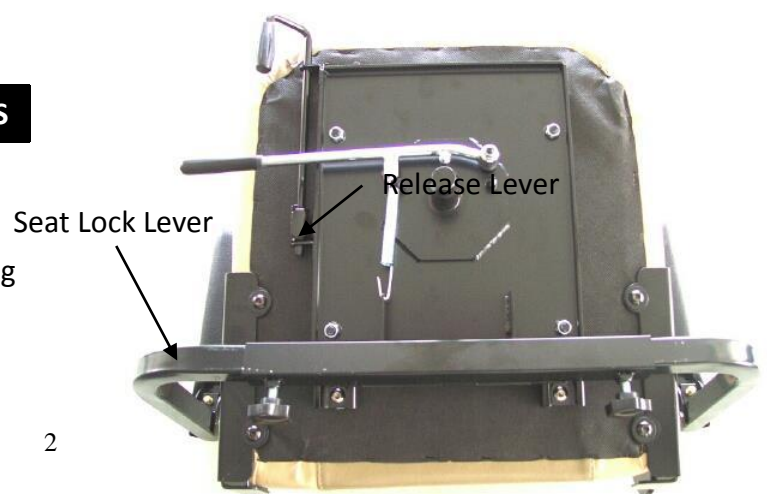


Figure 9. Seat Height Adjustment

7. COMFORT ADJUSTMENTS

FRONT-TO-BACK SEAT ADJUSTMENT

Reposition the seat backward or forward by pulling up the Release lever.



SEAT LOCK LEVER

The seat lock lever locks the seat in one of 5 positions.

1. Pull forward the seat lock lever to unlock the seat.
2. Rotate the seat to the desired lock position.
3. Release the seat lock lever to lock the seat securely in place.

Figure 10. Seat Adjustment and Lock Lever

ARMREST WIDTH ADJUSTMENT

The width of the seat can be adjusted by moving the armrests in and out.

1. Loosen the thumbscrews at the back of the seat frame.
2. Slide the armrests in or out to the desired width.
3. Tighten the thumbscrews.

The armrests also pivot upward to make getting on and off of your scooter easier.



Thumbscrews

Figure 11. Armrest Width Adjustment

8 . B A S I C T R O U B L E S H O O T I N G

Any electro-mechanical device occasionally requires some troubleshooting. However, most of the problems that may arise can usually be solved with a bit of thought and common sense. Many of these problems occur because the batteries are not fully charged or because the batteries are worn down and can no longer hold a charge.

What if all the systems on my scooter seem to be “dead”?

- Make certain that the key is fully inserted in the key switch and rotated to the “on” position.

- Check that the batteries are fully charged. See 5. “Batteries and charging.”
- Push in the reset button to reset the main circuit breaker. See 4. “Your scooter.”
- Make certain that both battery harnesses are firmly connected to the electronic controller module and to the battery terminals. See 8. “Disassembly and assembly.”
- Make sure that the front-to-rear harness connector is firmly connected. See 8. “Disassembly and Assembly.”
- Remove and reinsert the key.

What if the motor runs but my scooter does not move?

- Your scooter was probably left in manual freewheel mode. When the manual freewheel lever is pulled up, the brakes are disengaged and all power to the transaxle is cut.
- Push down the manual freewheel lever to restore normal operation to your Scooter. See 4. “Your scooter.”

What if the main circuit breaker repeatedly trips?

- Charge the scooter’s batteries more frequently. See 5. “Batteries and Charging.”
- If the problem continues, have the batteries load tested by your authorised dealer.

What if the battery gauge dips way down and the motor surges or hesitates when I press my scooter’s throttle control lever? See 5. “Your scooter.”

- Fully charge your scooter’s batteries. See 5. “Batteries and charging.”
- Have your authorised dealer load test each battery.

Contact your authorised dealer for any other problems.

8 . B A S I C T R O U B L E S H O O T I N G

How to read the status indicator?

Flash Code	Description of fault
1	Low Battery Voltage. The battery needs charging or there is a poor connection to the battery. Check the connections to the battery. If the connections are good, charge the battery.
2	Low Battery Fault. The battery is completely discharged or there is a poor connection to the battery. Check the connections to the battery.

	If the connections are good, charge the battery.
3	High Battery Fault. The battery voltage is too high. This may occur if overcharged and/or travelling down a long slope. If travelling down a slope, reduce your speed to minimise the amount of regenerative charging. Check the battery charger.
4	Current Limit or Controller Overheated. The motor has been exceeding its maximum current rating. The scooter may have stalled. Turn the scooter off, leave for a few minutes and turn back on again. The motor may be faulty. Check the motor and associated connections and wiring.
5	Park Brake Fault. Either the park brake release switch is active or the park brake is faulty. Check the park brake and associated connections and wiring. Ensure the free-wheel lever is engaged.
6	Drive Inhibit. Either a Charger Inhibit or OONAPU condition has occurred. Disconnect the Battery Charger. Ensure the throttle is in neutral when turning on the controller. The throttle may require re-calibration.
7	Speed Control Fault. The throttle, speed limit pot, or the associated wiring may be faulty. Check the throttle, speed pot, associated connections and wiring.
8	Motor Fault. The motor or its associated wiring is faulty. Check the motor and associated connections and wiring.
9	Other Error. The controller may have an internal fault. Check all connections and wiring.

If the problems persist after you have these checks described above please contact your service agent.

9 . C A R E A N D M A I N T E N A N C E

Your scooter requires a minimal amount of care and maintenance. If you do not feel confident in your ability to perform the maintenance listed below, you may schedule inspection and maintenance at your authorised dealer.

The following areas require periodic inspection and/or care and maintenance.

TYRE PRESSURE

- For optimum scooter performance we recommend that the tyre pressure be maintained at 30-35 psi.

TYRE CONDITION AND TREAD WEAR

Regularly inspect your scooter's tires for signs of wear.

- Use a rubber conditioner on your scooter's tyres to help to preserve them.

REMOVABLE FOOTMAT

- Your scooter's foot-mat is held on with fasteners. It can be removed, cleaned, and reinstalled as necessary.

EXTERIOR SURFACES

- Bumpers and trim also benefit from an occasional application of rubber or vinyl conditioner.
- Do not apply rubber or vinyl conditioner on the scooter's vinyl seat or handlebars; they may become dangerously slippery!

TERMINAL CONNECTIONS

- Make certain that the terminal connections remain tight and un-corroded.
- The batteries must sit flat in the battery wells.
- The battery terminals should face each other.

WIRING HARNESES

- Regularly check all wiring connections.
- Regularly check all wiring insulation, including the charger power lead, for wear or damage.
- Repair or replace any damaged connector, connection, or insulation that you find before using your scooter again.

ABS PLASTIC SHROUDS

- The front console shroud, front shroud, and the rear shroud are formed from durable ABS plastic and coated with advanced formula urethane paint.
- A light application of car wax helps the shrouds retain their high gloss finish.

AXLE BEARINGS AND THE MOTOR/TRANSAXLE ASSEMBLY

- These items are all pre-lubricated, sealed, and require no subsequent lubrication.

CONSOLE, CHARGER, AND ELECTRONIC CONTROLLER MODULE

- Keep these areas free of moisture.
- If any of these items do become exposed to moisture let them dry thoroughly before operating your scooter again.

STORAGE

See "How should I store my scooter and its batteries?" in 5. "Batteries and charging."

10 . W A R R A N T Y

ONE-YEAR LIMITED WARRANTY

Your scooter is fully guaranteed for twelve (12) months from the date of purchase against faults arising due to defects in manufacture or materials. This warranty does not affect your statutory rights.

NOT COVERED UNDER WARRANTY

This guarantee excludes items which may need replacement due to normal wear and tear (tyres, belts, bulbs, upholstery, plastic shrouds, motor brushes, fuses, and batteries), or damage to the product caused by misuse or accident for which the manufacturer or its agent cannot be held responsible. This warranty does not include labour or service calls.

SERVICE CHECKS AND WARRANTY SERVICE

An authorised dealer can perform warranty service. Please contact your authorised dealer for advice on the current cost of a service visit.

Thank you for reading this manual. Now you can safely enjoy your increased mobility.

1 1 . W A R R A N T Y R E G I S T R A T I O N

B9200 Mobility Scooter

Model Serial Number _____

Date Purchased _____

Owners Name _____

Address _____

City _____ Post Code _____

Signature _____ Telephone _____

Dealer Name _____ Dealer Telephone _____

Comments _____

Please Return to: One Rehab Ltd
 Unit 1 Fernwood Estate
 Shillinglee
 GU8 4SX